



## 8 and 11 Blade DPA Reel Mower Greensmaster® 3000 Series

Model No. 04610 - 230000001 and up.

Model No. 04611 - 230000001 and up.

### Parts Catalog

---

#### **Ordering Replacement Parts**

To order replacement parts, please supply the part number, the quantity, and the description of each part desired.

#### **Understanding Reference Numbers**

Each Identified part in an illustration has a reference number. The reference number for a part also appears in the parts list, along with other information about the part.

This catalog uses two special reference number formats, one to indicate parts in a service assembly and another to indicate the quantity of a given part in an illustration.

#### **Service Assembly Reference Numbers**

Parts in service assemblies have reference numbers in the form a:b. The a represents the reference number of the entire service assembly and the b represents a sequential number unique to each part within the service assembly.

For example, a wheel assembly might be identified by reference number 6, the tire by 6:1, the valve by 6:2, and the wheel by 6:3. When you order the assembly identified by reference number 6, you receive all parts identified by reference numbers 6:1, 6:2, and 6:3. However, you may also order any part individually. Reference numbers of this type appear in illustrations and in part lists.

#### **Reference Numbers Indicating Quantity**

In an illustration, if a reference number indicates more than one part, the reference number has the form nX y. The n represents the quantity of the part, the X is the multiplication symbol, and the y represents the reference number.

For example, in an illustration, the reference number 2X 37 means that two of the parts identified by reference number 37 are indicated.

# Contents

Description	Page	Description	Page
Frame Assembly	..... 3	Rear Roller Assembly	..... 5
Blade Assembly	..... 4	Attachments and Accessories List	..... 6

## Part Description Abbreviations

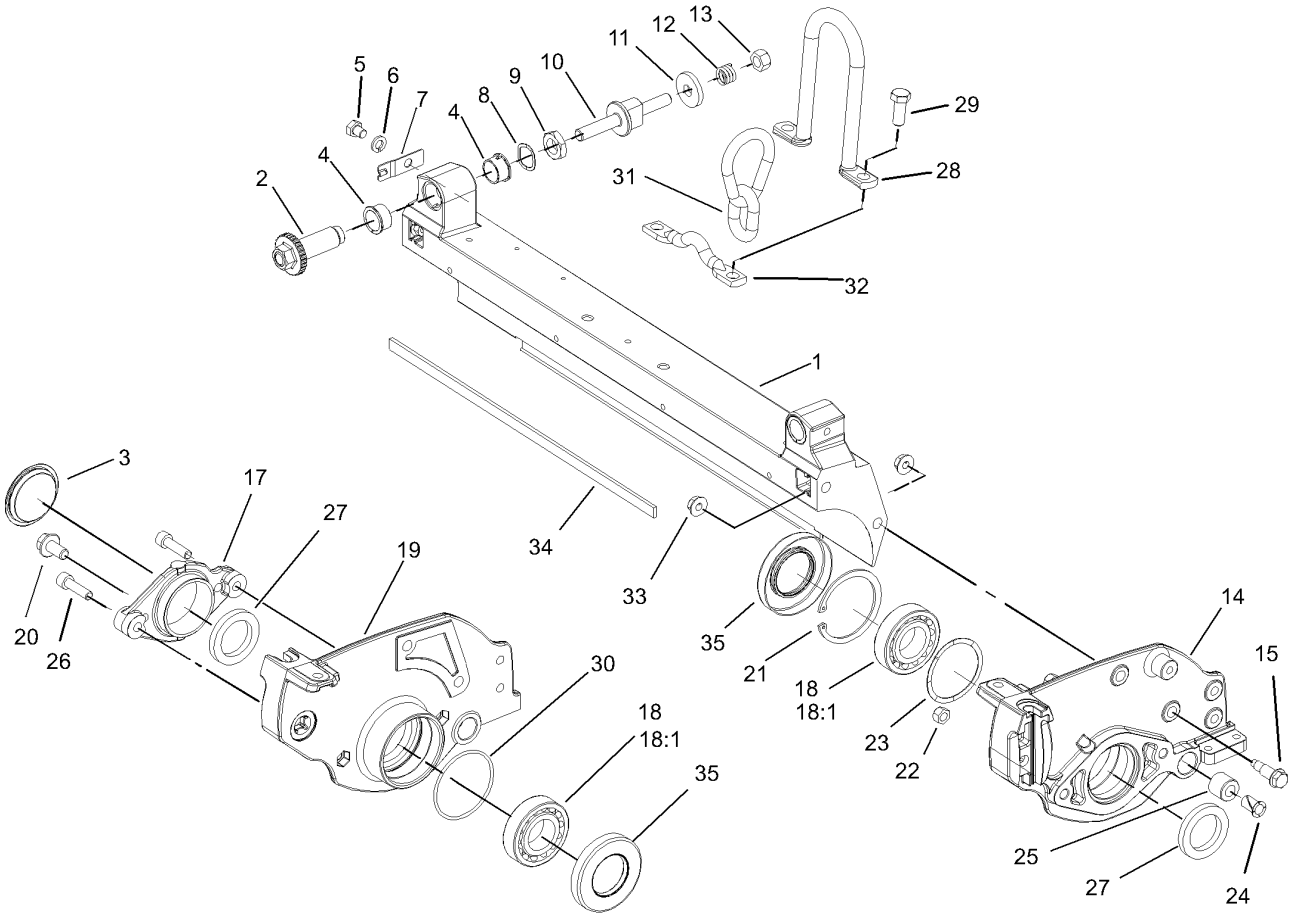
Part descriptions in this catalog may include the following abbreviations.

AR. ....	as required	HYD. ....	hydraulic
ASM. ....	assembly	INC. ....	incorporated
CARR. ....	carriage	LH. ....	left hand
DEG. ....	degrees	NI. ....	nylon insert
FH. ....	flat head	PPH. ....	phillips pan head
GA. ....	gauge	PTH. ....	phillips truss head
HF. ....	hex flange	PTO. ....	power take off
HH. ....	hex head	RH. ....	right hand
HHF. ....	hex head flange	SFH. ....	slotted fillister head
HHFTF. ....	hex head flange thread forming	SHH. ....	slotted hex head
HJ. ....	hex jam	SHWH. ....	slotted hex washer head
HLH. ....	hex lag head	SPH. ....	slotted pan head
HOC. ....	height-of-cut	SQH. ....	square head
HS. ....	hex	SRH. ....	slotted round head
HSBH. ....	hex socket button head	STD. ....	standard
HSFH. ....	hex socket flat head	TAP. ....	self tapping
HS. ....	hex socket head	TTH. ....	torx truss head
HWH. ....	hex washer head	WH. ....	wing head
HWHTF. ....	hex washer head thread forming		

## Footnotes

❶ Not illustrated

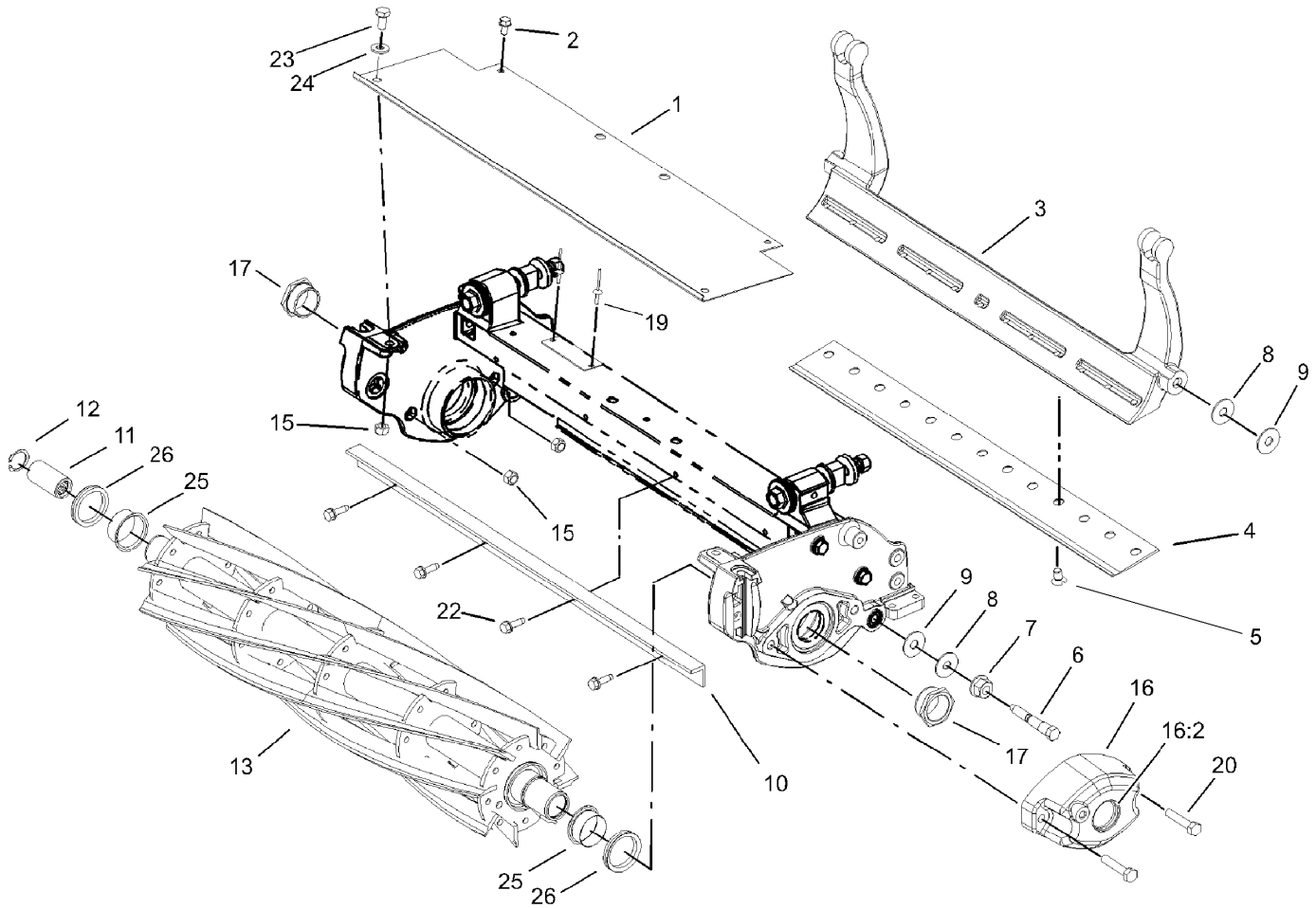
❷ Not serviced separately



## Frame Assembly

Ref	Part No.	Qty.	Description
1	105-5799	1	Frame
2	106-6921	2	Adjuster Shaft ASM
3	2410-30	1	Cap-Plastic
4	106-5344	4	Bushing-Flange, Keyed
5	33114-010	2	Screw-HH
6	3255-8	2	Washer-Lock
7	99-2097	2	Detent
8	106-5335	2	Washer-Wave
9	106-5336	2	Nut-Jam
10	99-2096	2	Screw-Adjuster, Bedbar
11	99-2098	2	Washer
12	99-3755	2	Spring-Compression
13	33025-00	2	Nut-Lock
14	105-5795	1	Plate-Side, LH
15	105-5774	4	Bolt-Shoulder
17	104-9447	1	Adapter-Motor
18		2	Bearing-Packed, W/grease
18:1	93-2489	1	Bearing
19	105-5797	1	Plate-Side, RH
20	106-2633	2	Screw-HHF
21	106-6914	1	Ring-Snap, Internal
22	33024-00	2	Nut-Lock
23	105-5700	1	Washer-Wave
24	52-2890	2	Bushing-Nylon

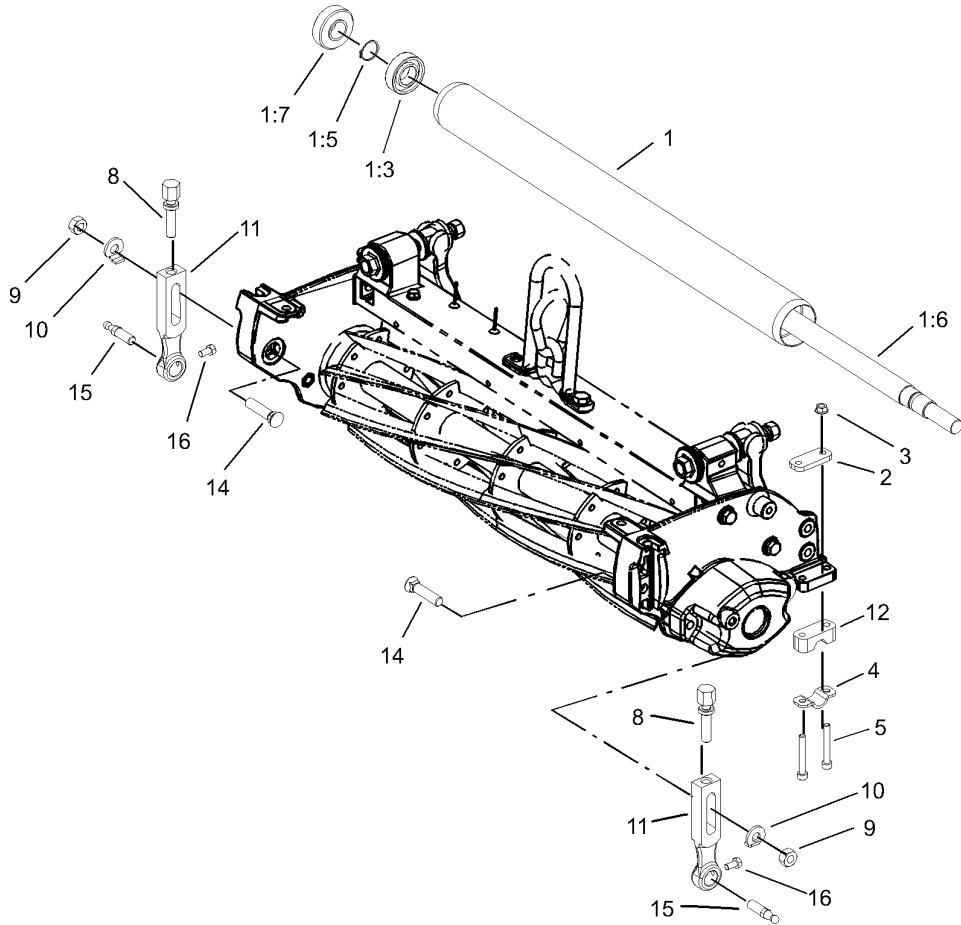
Ref	Part No.	Qty.	Description
25	63-9510	2	Bushing
26	94-3559	2	Screw-Sh
27	253-134	2	Seal-Grease
28	105-5740	1	Hook-Lift
29	33115-025	2	Screw-HH
30	106-2607	1	O-Ring
31	106-2601	1	Link-Lift
32	105-5738	1	Strap-Lift
33	98-0668	4	Nut
34	106-2619	1	Strip-Seal
35	106-6926	2	Seal-Grease



## Blade Assembly

Ref	Part No.	Qty.	Description
1	106-2600-01	1	Shield-Grass
2	104-2628	2	Screw-HWH
3	106-2648-01	1	Bedbar
①4	63-8600	1	Bedknife-Fairway (Only On: 04610)
①4	93-4262	1	Bedknife-Microcut
4	93-4263	1	Bedknife-Tournament Cut
①4	93-4264	1	Bedknife-Low Cut
①4	94-6392	1	Bedknife-Highcut (Only On: 04610)
5	57-4910	13	Screw-Special
6	65-6270	2	Bolt-Bedbar
7	32128-48	2	Nut-HHF
8	52-2860	4	Washer
9	52-2900	4	Washer-Plastic
10	106-6924-03	1	Bar-Cutoff
11	94-4507	1	Coupler-Splined
12	105-5775	1	Ring-Retaining
13	105-5793	1	8 Blade Reel ASM (Only On: 04610)
①13	105-5792	1	11 Blade Reel ASM (Only On: 04611)
15	33024-00	4	Nut-Lock
16	105-5709	1	Weight ASM
16:2	105-5708	1	Plug-Expansion

Ref	Part No.	Qty.	Description
17	105-5706	2	Nut-Lock, Bearing
19	3290-55	2	Rivet-Pop
20	33114-040	2	Screw-HH
22	56-6380	4	Screw
23	33114-016	2	Screw-HH
24	3256-2	2	Washer-Flat
25	106-6927	2	Sleeve-Speedi
26	106-6929	2	V-Ring



### Rear Roller Assembly

Ref	Part No.	Qty.	Description
1	105-5776	1	Full Roller ASM
1:3	251-347	2	Bearing-Ball
1:5	32120-15	2	Ring-Snap, Ext
1:6	104-2606	1	Shaft-Roller
1:7	99-3842	2	Seal-Oil
2	105-5711	2	Shim-Roller
3	33003-00	4	Nut-HF
4	105-5712	2	Retainer-Shaft
5	106-2603	4	Screw-Sh
8	106-2635	2	Screw-HOC
9	106-4668	2	Nut-Lock
10	104-2603	2	Washer-HOC
11	99-3781	2	Arm-HOC
12	105-5710	2	Spacer-Roller
14	105-5342	2	Bolt-Plow
15	94-2958	2	Stud-Ball
16	33113-012	2	Screw-HH

--	--	--	--

## Attachments and Accessories

### For 04610 - 8-Blade DPA Reel Mower, Greensmaster 3000 Series

<b>Product Name</b>	<b>Model/Part</b>
Wiehle Roller Kit .....	04424
Full Roller Kit .....	04620
Narrow Wiehle Roller Kit (.20 spacing) .....	04621
Wide Wiehle Roller Kit (.93 spacing) .....	04622
DPA Reel Mower Groomer, Greensmaster 3150 .....	04630
DPA Reel Mower Groomer, Greensmaster 3250-D .....	04631
DPA Reel Mower Rear Roller Brush, Greensmaster 3150-D and 3250-D .....	04640
DPA Reel Mower Rear Roller Brush, Greensmaster 3250-D .....	04641
DPA Reel Mower Rear Roller Scraper Kit .....	04646
Groomer Brush .....	106-2616
5 Blade Heavy Duty Reel ASM .....	106-2626
Wiehle Roller Scraper Kit (.20 spacing) .....	106-4661
Wiehle Roller Scraper Kit (.93 spacing) .....	106-4662
Full Roller Scraper Kit .....	106-4663
High Height-of-Cut Kit .....	106-4699
Shim .....	106-6923
Replacement Seal Kit .....	106-6937
Bedknife-Fairway .....	63-8600
Bedknife-Microcut .....	93-4262
Bedknife-Tournament Cut .....	93-4263
Bedknife-Low Cut .....	93-4264
Bedknife-Highcut .....	94-6392

## Attachments and Accessories

### For 04611 - 11-Blade DPA Reel Mower, Greensmaster 3000 Series

<b>Product Name</b>	<b>Model/Part</b>
Wiehle Roller Kit .....	04424
Full Roller Kit .....	04620
Narrow Wiehle Roller Kit (.20 spacing) .....	04621
Wide Wiehle Roller Kit (.93 spacing) .....	04622
DPA Reel Mower Groomer, Greensmaster 3150 .....	04630
DPA Reel Mower Groomer, Greensmaster 3250-D .....	04631
DPA Reel Mower Rear Roller Brush, Greensmaster 3150-D and 3250-D .....	04640
DPA Reel Mower Rear Roller Brush, Greensmaster 3250-D .....	04641
DPA Reel Mower Rear Roller Scraper Kit .....	04646
Groomer Brush .....	106-2616
5 Blade Heavy Duty Reel ASM .....	106-2626
Wiehle Roller Scraper Kit (.20 spacing) .....	106-4661
Wiehle Roller Scraper Kit (.93 spacing) .....	106-4662
Full Roller Scraper Kit .....	106-4663
High Height-of-Cut Kit .....	106-4699
Shim .....	106-6923
Replacement Seal Kit .....	106-6937
Bedknife-Fairway .....	63-8600
Bedknife-Microcut .....	93-4262
Bedknife-Tournament Cut .....	93-4263
Bedknife-Low Cut .....	93-4264
Bedknife-Highcut .....	94-6392

# NOTES

