



**Count on it.**

**Parts Catalog**

**8-Blade DPA Reel Mower**

**Greensmaster® 3000 Series**

**Model No. 04610—Serial No. 280000001 and Up**

# Ordering Replacement Parts

To order replacement parts, please supply the part number, the quantity, and the description of each part desired.

## Understanding Reference Numbers

Each identified part in an illustration has a reference number. The reference number for a part also appears in the parts list, along with other information about the part.

This catalog uses two special reference number formats, one to indicate parts in a service assembly and another to indicate the quantity of a given part in an illustration.

## Service Assembly Reference Numbers

Parts in service assemblies have reference numbers in the form a:b. The a represents the reference number of the entire service assembly and the b represents a sequential number unique to each part within the service assembly.

For example, a wheel assembly might be identified by reference number 6, the tire by 6:1, the valve by 6:2, and the wheel by 6:3. When you order the assembly identified by reference number 6, you receive all parts identified by reference numbers 6:1, 6:2, and 6:3. However, you may also order any part individually. Reference numbers of this type appear in illustration and in parts lists.

## Reference Numbers Indicating Quantity

In an illustration, if a reference number indicates more than one part, the reference number has the form nX y. The n represents the quantity of the part, the X is the multiplication symbol, and the y represents the reference number.

For example, in an illustration, the reference number 2X 37 means that two of the parts identified by reference number 37 are indicated.

# List of Abbreviations

**AR:** as required

**ASM:** assembly

**BBC:** blade brake control

**BHTF:** button head thread forming

**CARR:** carriage

**CCW:** counter clockwise

**CW:** clockwise

**DEG:** degrees

**DPA:** Dual Point Adjustment

**ECM:** electronic control module

**EXT:** external

**FH:** flat head

**GA:** gauge

**HD:** heavy-duty

**HF:** hex flange

**HH:** hex head

**HHF:** hex head flange

**HHFTF:** hex head flange thread forming

**HJ:** hex jam

**HLH:** hex lag head

**HOC:** height-of-cut

**HSBH:** hex socket button head

**HSFH:** hex socket flat head

**HSH:** hex socket head

**HWH:** hex washer head

**HWTF:** hex washer head thread forming

**HYD:** hydraulic

**LH:** left hand

**LPG:** Liquid Propane Gas

**NI:** nylon insert

**NPTF:** national pipe thread fine

**PFH:** phillips flat head

**PPH:** phillips pan head

**PPHTF:** phillips pan head thread forming

**PRH:** phillips round head

**PTH:** phillips truss head

**PTO:** power-take-off

**RH:** right hand

**ROPS:** roll-over protection system

**RRB:** rear roller brush

**SFH:** slotted fillister head

**SHH:** slotted hex head

**SHWH:** slotted hex washer head

**SPH:** slotted pan head

**SQH:** square head

**SRH:** slotted round head

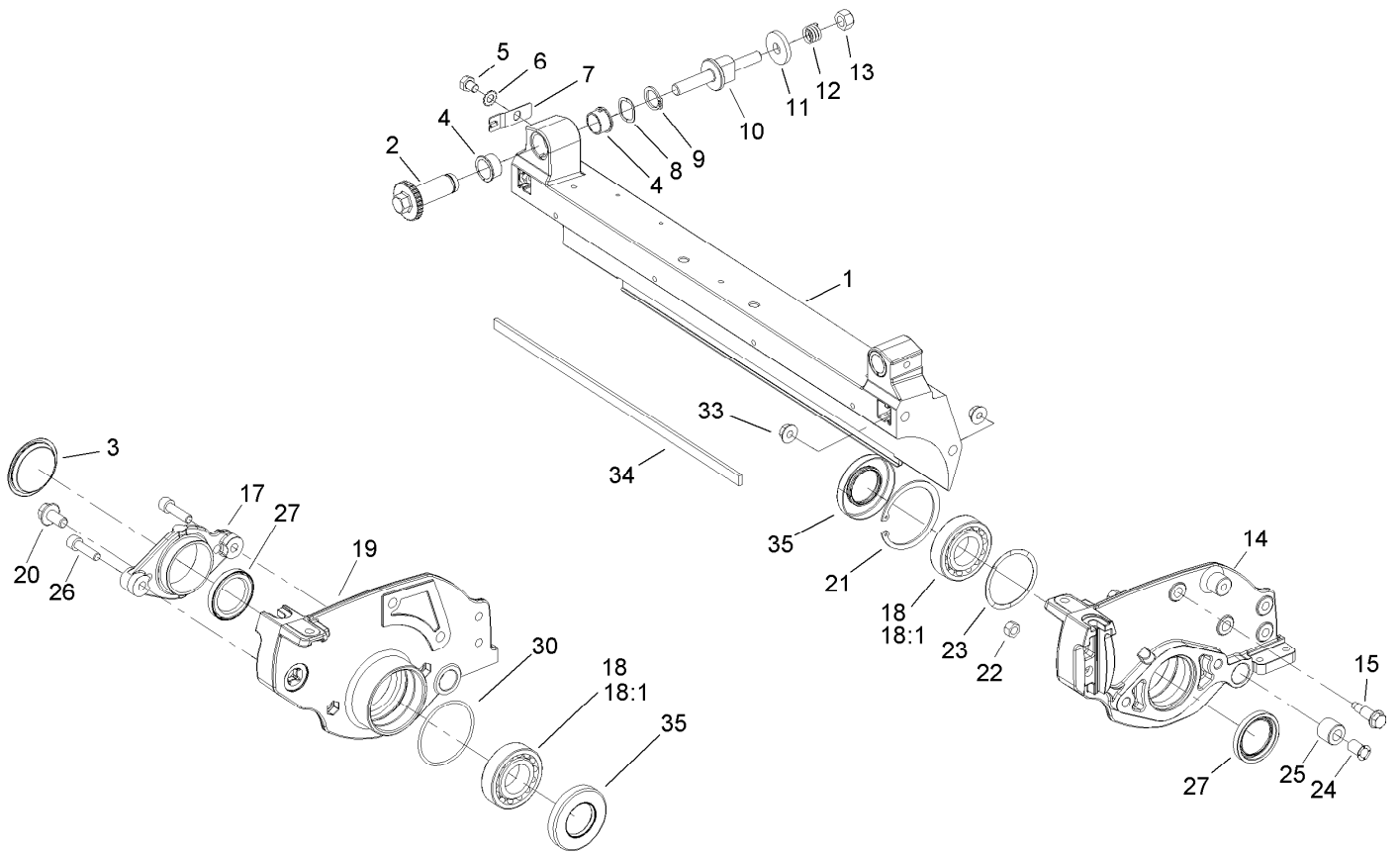
**STD:** standard

**TAP:** self tapping

**TTH:** torx truss head

# Contents

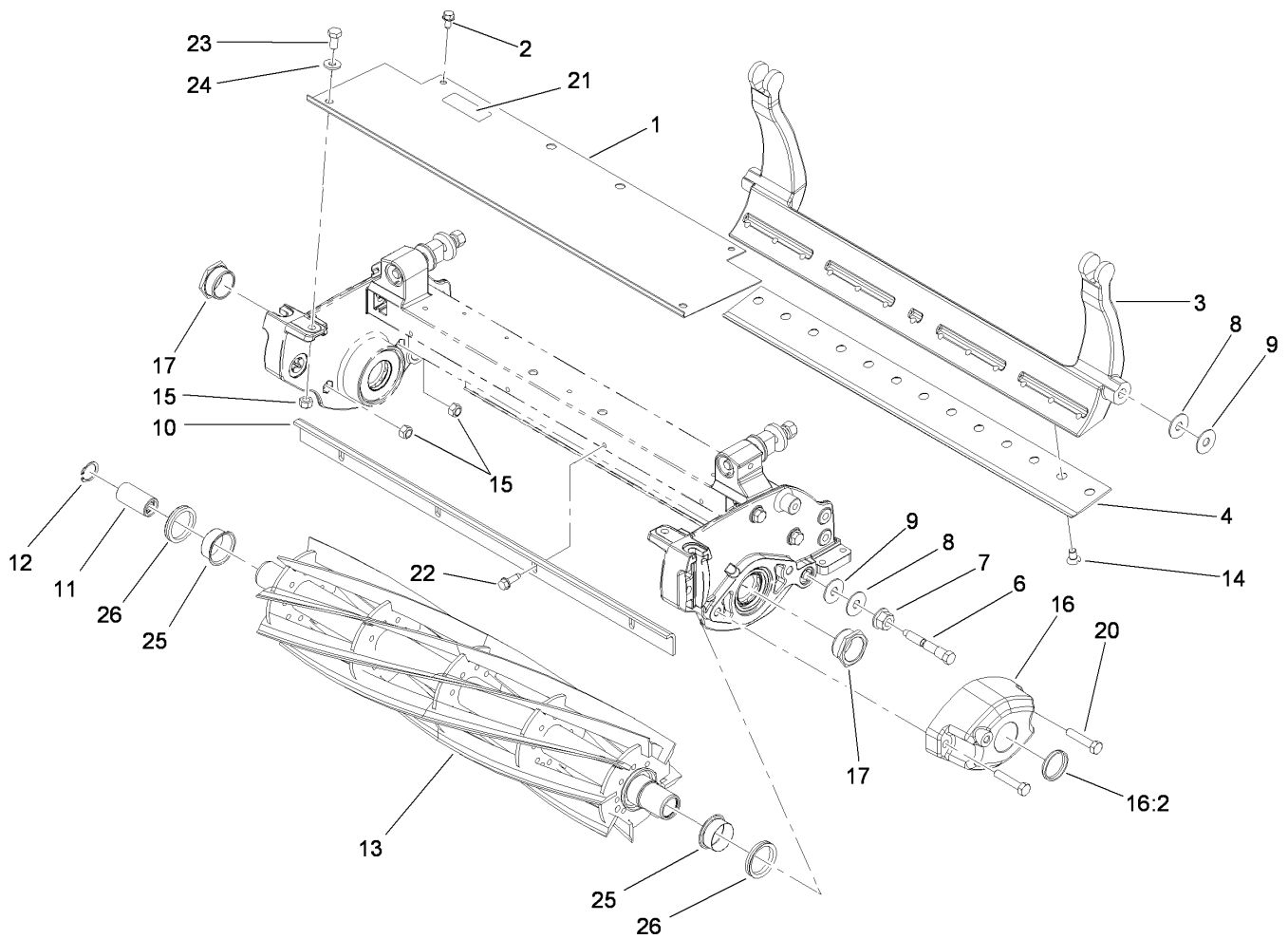
- Frame Assembly..... 4
- Blade Assembly ..... 5
- Rear Roller Assembly ..... 6
- Attachments and Accessories ..... 7



## Frame Assembly

Ref.	Part Number	Qty.	Description	Ref.	Part Number	Qty.	Description
1	105-5799	1	Frame	18		2	Bearing-Packed, Grease ●
2	106-5363	2	Shaft-Adjuster	18:1	93-2489	1	Bearing
3	2410-30	1	Cap-Plastic	19	105-5797	1	Plate-Side, RH
4	106-5344	4	Bushing-Flange, Keyed	20	106-2633	2	Screw-HHF
5	33114-010	2	Screw-HH	21	106-6914	1	Ring-Snap, Internal
6	3255-8	2	Washer-Lock	22	33024-00	2	Nut-Lock
7	99-2097	2	Detent	23	105-5700	1	Washer-Wave
8	106-5335	2	Washer-Wave	24	52-2890	2	Bushing-Nylon
9	32120-93	2	Ring-Retaining	25	63-9510	2	Bushing
10	99-2096	2	Screw-Adjuster, Bedbar	26	94-3559	2	Screw-HSH
11	99-2098	2	Washer	27	253-134	2	Seal-Grease
12	99-3755	2	Spring-Compression	30	106-2607	1	O-Ring
13	33025-00	2	Nut-Lock, NI	33	98-0668	4	Nut
14	105-5795	1	Plate-Side, LH	34	106-2619	1	Strip-Seal
15	105-5774	4	Bolt-Shoulder	35	106-6926	2	Seal-Grease
17	104-9447	1	Adapter-Motor				

● Not serviced separately

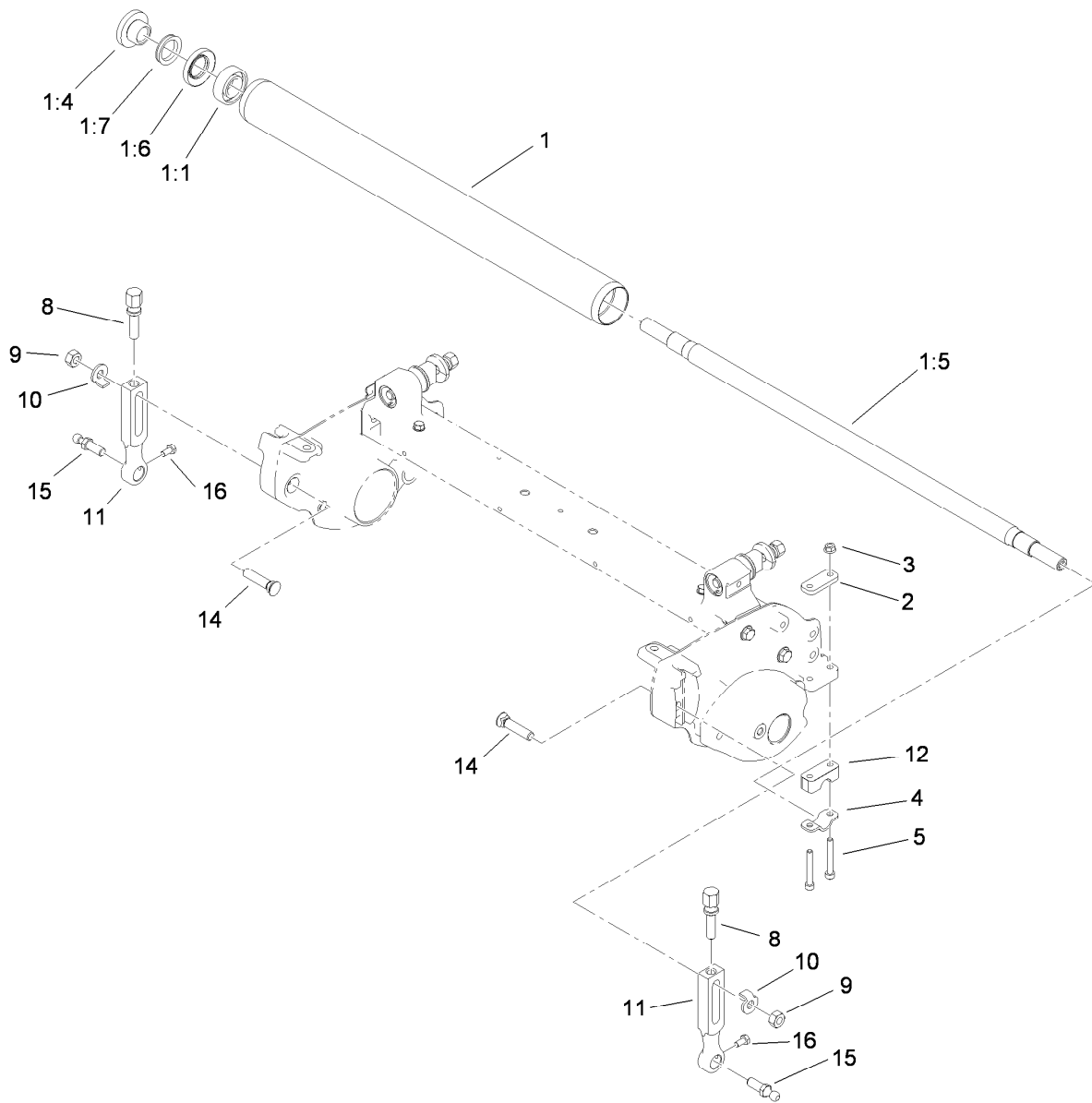


## Blade Assembly

Ref.	Part Number	Qty.	Description
1	106-2600-01	1	Shield-Grass
2	104-2628	2	Screw-HWH
3	106-2648-01	1	Bedbar
4	63-8600	1	Bedknife-Fairway ●
4	93-4262	1	Bedknife-Microcut ●
4	93-4263	1	Bedknife-Tournament Cut
4	93-4264	1	Bedknife-Low Cut ●
4	94-6392	1	Bedknife-Highcut ●
6	65-6270	2	Bolt-Bedbar
7	32128-48	2	Nut-Lock, HHF
8	52-2860	4	Washer
9	52-2900	4	Washer-Plastic
10	106-6924-03	1	Bar-Cutoff
11	94-4507	1	Coupler-Splined

Ref.	Part Number	Qty.	Description
12	105-5775	1	Ring-Retaining
13	105-5793	1	8 Blade Reel ASM
14	119-4151	13	Screw-Bedknife
15	33024-00	4	Nut-Lock
16	105-5709	1	Weight ASM
16:2	105-5708	1	Plug-Expansion
17	105-5706	2	Nut-Lock, Bearing
20	33114-040	2	Screw-HH
21	115-3264	1	Decal-Regulatory
22	110-3986	4	Screw
23	33114-016	2	Screw-HH
24	3256-2	2	Washer-Flat
25	106-6927	2	Sleeve
26	106-6929	2	V-Ring

● Optional Equipment



## Rear Roller Assembly

Ref.	Part Number	Qty.	Description
1	106-6945	1	21 Inch Full Roller ASM
1:1	251-347	2	Bearing-Ball
1:4	108-3151	2	Nut-Lock, Bearing
1:5	106-6940	1	Shaft-Roller
1:6	106-6941	2	Seal
1:7	106-6942	2	V-Ring
2	105-5711	2	Shim-Roller
3	33003-00	4	Nut-HF
4	105-5712	2	Retainer-Shaft

Ref.	Part Number	Qty.	Description
5	106-2603	4	Screw-HSH
8	110-7352	2	Screw-HOC
9	106-4668	2	Nut-Lock
10	104-2603	2	Washer-HOC
11	110-7351	2	Arm-HOC
12	105-5710	2	Spacer-Roller
14	105-5342	2	Bolt-Plow
15	94-2958	2	Stud-Ball
16	33113-012	2	Screw-HH

# Attachments and Accessories

## For 04610 8-Blade DPA Reel Mower Greensmaster 3000 Series

<b>Product Name</b>	<b>Model/Part</b>
Full Roller Kit .....	04625
Narrow Wiehle Roller Kit.....	04626
Wide Wiehle Roller Kit.....	04627
Steel Roller Kit.....	04628
Dampening Roller Kit.....	04629
DPA Reel Mower Groomer, Greensmaster 3050/3100/3150 Traction Unit.....	04634
DPA Reel Mower Groomer, Greensmaster 3250-D Traction Unit.....	04635
DPA Reel Mower Rear Roller Brush, Greensmaster 3150 .....	04640
DPA Reel Mower Rear Roller Brush, Greensmaster 3250-D.....	04641
DPA Reel Mower Rear Roller Scraper Kit .....	04646
Heavy Duty 5 Blade Reel ASM .....	106-2626
High Height-of-Cut Kit.....	106-4699
Shim .....	106-6923
Replacement Seal Kit .....	106-6937
Extended Grass Shield ASM .....	107-3503-01
Wiehle DPA Steel Roller ASM.....	107-3510
Heavy Duty 8 Blade Reel ASM .....	107-9522
Roller Scraper Kit.....	107-9561
Bedknife-Tournament, Extended .....	108-4302
Bedknife-Microcut, Extended.....	108-4303
Front Scraper Kit for Narrow Wiehle Roller .....	108-6468
Front Scraper Kit for Wide Wiehle Roller.....	110-3961
Front Scraper Kit for Full Roller.....	110-3962
Front Brush Kit for Narrow Wiehle Roller .....	110-3963
Front Brush Kit for Wide Wiehle Roller.....	110-3964
Front Brush Kit for Full Roller .....	110-3965
Front Comb Kit for Narrow Wiehle Roller .....	110-3966
Front Comb Kit for Wide Wiehle Roller.....	110-3967
Front Comb Kit for Full Roller.....	110-3968
Bedknife-Edgemax (21in Fairway).....	112-7475
Rear Roller Extension Kit.....	112-9294
Rear Roller Scraper Kit.....	112-9353
Rear Roller Adjustment Kit.....	114-4630
Rear Roller Brush Service Kit .....	114-4631
Bedknife-Edgemax, Microcut.....	115-1880
Bedknife-Edgemax, Tournament Cut.....	115-1881
14 Blade Reel ASM .....	115-5370
Bedknife-Fairway.....	63-8600
Wiehle Roller ASM (Cast Iron).....	71-1550
Bedknife-Microcut.....	93-4262
Bedknife-Tournament Cut.....	93-4263
Bedknife-Low Cut .....	93-4264
Bedknife-Highcut .....	94-6392
Bedbar-Aggressive .....	99-3794-03



**Count on it.**