



8-Blade DPA Reel Mower Greensmaster® 3000 Series

Model No. 04610 - 250000001 and up.

Parts Catalog

Ordering Replacement Parts

To order replacement parts, please supply the part number, the quantity, and the description of each part desired.

Understanding Reference Numbers

Each Identified part in an illustration has a reference number. The reference number for a part also appears in the parts list, along with other information about the part.

This catalog uses two special reference number formats, one to indicate parts in a service assembly and another to indicate the quantity of a given part in an illustration.

Service Assembly Reference Numbers

Parts in service assemblies have reference numbers in the form a:b. The a represents the reference number of the entire service assembly and the b represents a sequential number unique to each part within the service assembly.

For example, a wheel assembly might be identified by reference number 6, the tire by 6:1, the valve by 6:2, and the wheel by 6:3. When you order the assembly identified by reference number 6, you receive all parts identified by reference numbers 6:1, 6:2, and 6:3. However, you may also order any part individually. Reference numbers of this type appear in illustrations and in part lists.

Reference Numbers Indicating Quantity

In an illustration, if a reference number indicates more than one part, the reference number has the form nX y. The n represents the quantity of the part, the X is the multiplication symbol, and the y represents the reference number.

For example, in an illustration, the reference number 2X 37 means that two of the parts identified by reference number 37 are indicated.

Contents

Description	Page	Description	Page
Frame Assembly 3	Rear Roller Assembly 6
Replacement Seal Kit Assembly No. 106-6937 4	Roller Rebuild Kit No. 107-1594 7
Blade Assembly 5	Attachments and Accessories List 8

Part Description Abbreviations

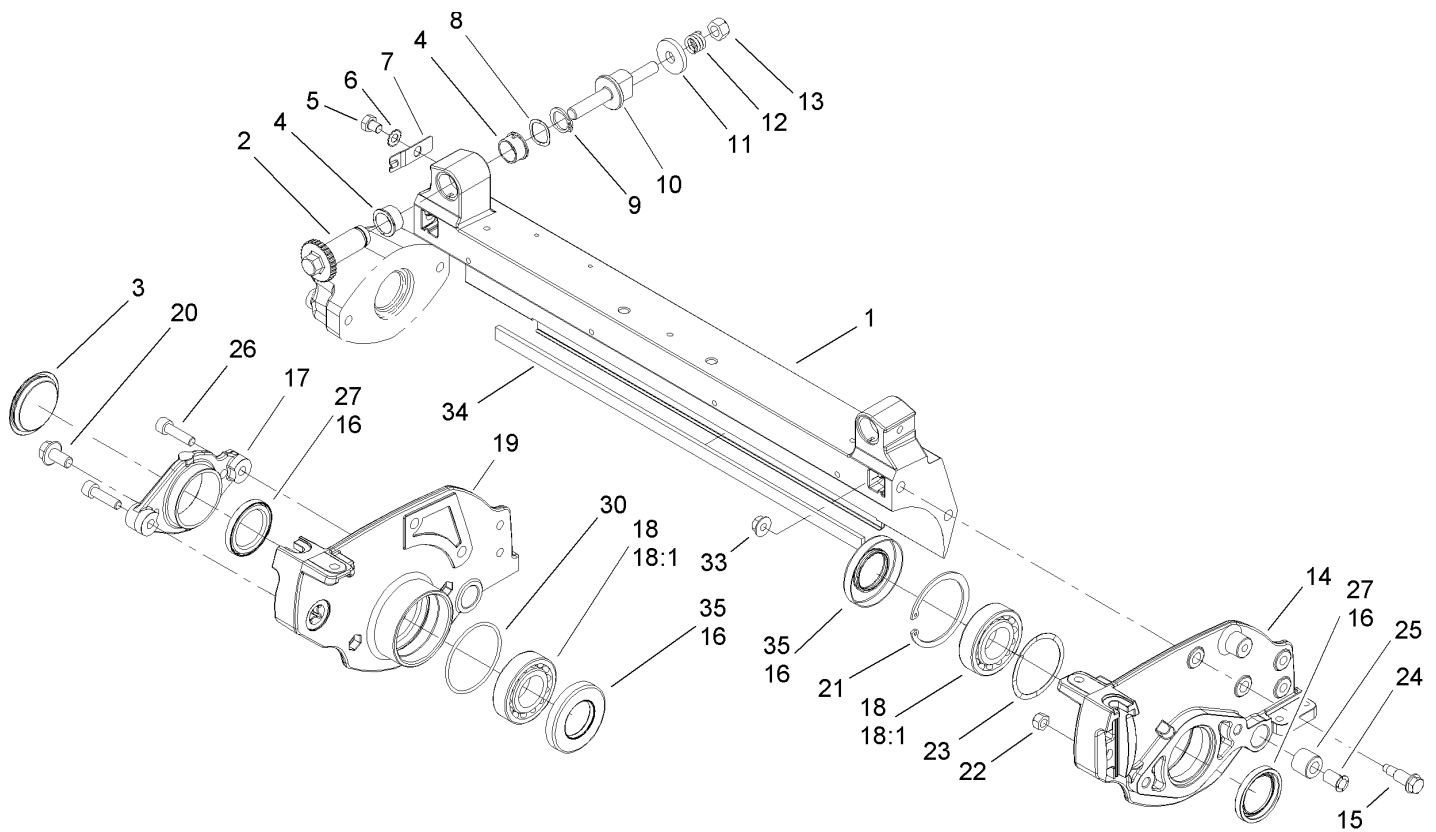
Part descriptions in this catalog may include the following abbreviations.

AR.	as required	INC.	incorporated
ASM.	assembly	LH.	left hand
CARR.	carriage	NI.	nylon insert
DEG.	degrees	PPH.	phillips pan head
FH.	flat head	PTH.	phillips truss head
GA.	gauge	PTO.	power take off
HF.	hex flange	RH.	right hand
HH.	hex head	SFH.	slotted fillister head
HHF.	hex head flange	SHH.	slotted hex head
HHFTF.	hex head flange thread forming	SHWH.	slotted hex washer head
HJ.	hex jam	SPH.	slotted pan head
HLH.	hex lag head	SQH.	square head
HOC.	height-of-cut	SRH.	slotted round head
HS.	hex	STD.	standard
HSBH.	hex socket button head	TAP.	self tapping
HSFH.	hex socket flat head	TTH.	torx truss head
HSH.	hex socket head	WH.	wing head
HWH.	hex washer head		
HWHTF.	hex washer head thread forming		
HYD.	hydraulic		

Footnotes

❶ Not illustrated

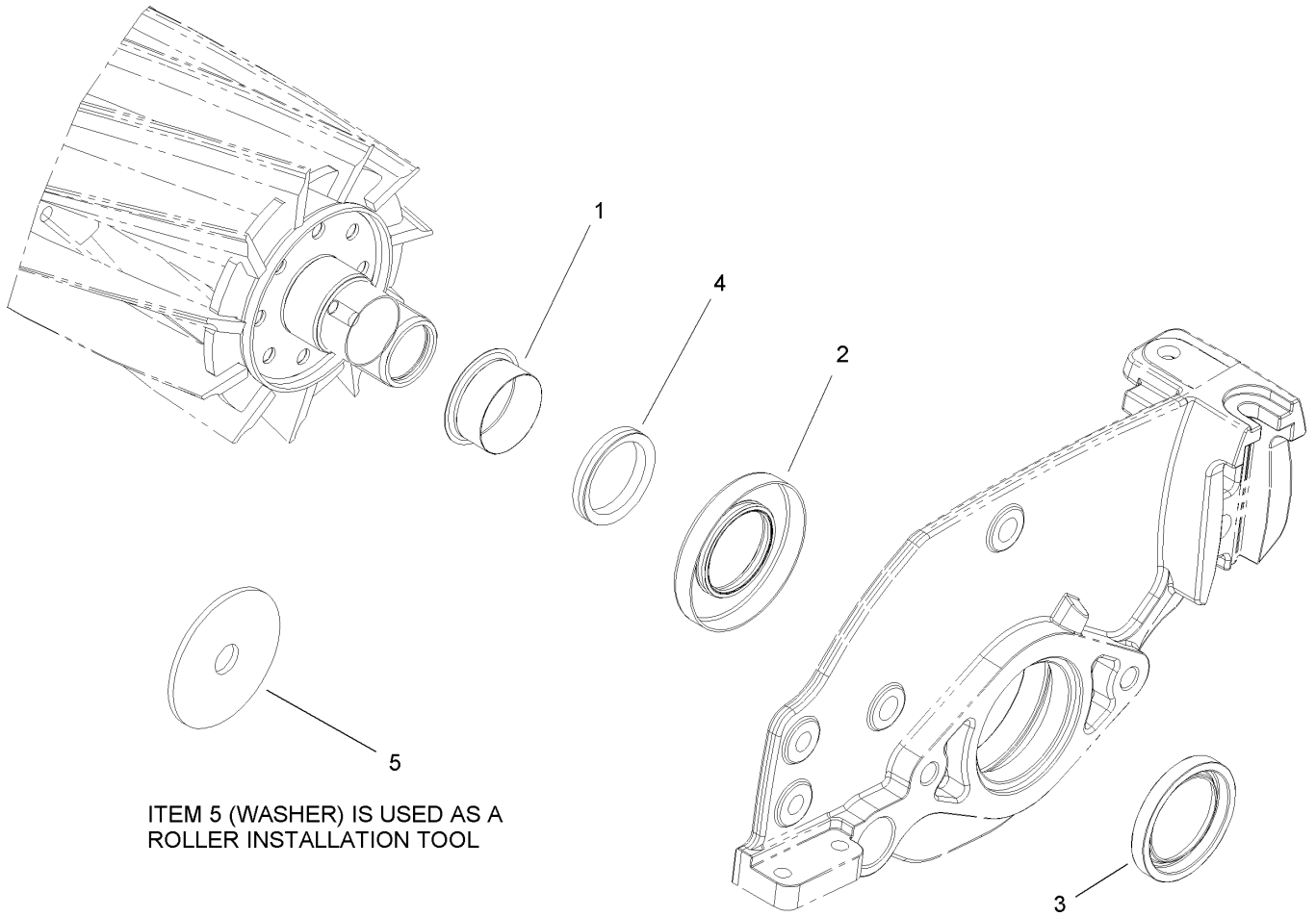
❷ Not serviced separately



Frame Assembly

Ref	Part No.	Qty.	Description
1	105-5799	1	Frame
2	106-5363	2	Shaft-Adjuster
3	2410-30	1	Cap-Plastic
4	106-5344	4	Bushing-Flange, Keyed
5	33114-010	2	Screw-HH
6	3255-8	2	Washer-Lock
7	99-2097	2	Detent
8	106-5335	2	Washer-Wave
9	32120-93	2	Ring-Retaining
10	99-2096	2	Screw-Adjuster, Bedbar
11	99-2098	2	Washer
12	99-3755	2	Spring-Compression
13	33025-00	2	Nut-Lock
14	105-5795	1	Plate-Side, LH
15	105-5774	4	Bolt-Shoulder
16	106-6937	1	Dpa Reel Seal Kit
17	104-9447	1	Adapter-Motor
18		2	Bearing-Packed, Grease
18:1	93-2489	1	Bearing
19	105-5797	1	Plate-Side, RH
20	106-2633	2	Screw-HHF
21	106-6914	1	Ring-Snap, Internal
22	33024-00	2	Nut-Lock
23	105-5700	1	Washer-Wave

Ref	Part No.	Qty.	Description
24	52-2890	2	Bushing-Nylon
25	63-9510	2	Bushing
26	94-3559	2	Screw-Sh
27	253-134	2	Seal-Grease
30	106-2607	1	O-Ring
33	98-0668	4	Nut
34	106-2619	1	Strip-Seal
35	106-6926	2	Seal-Grease

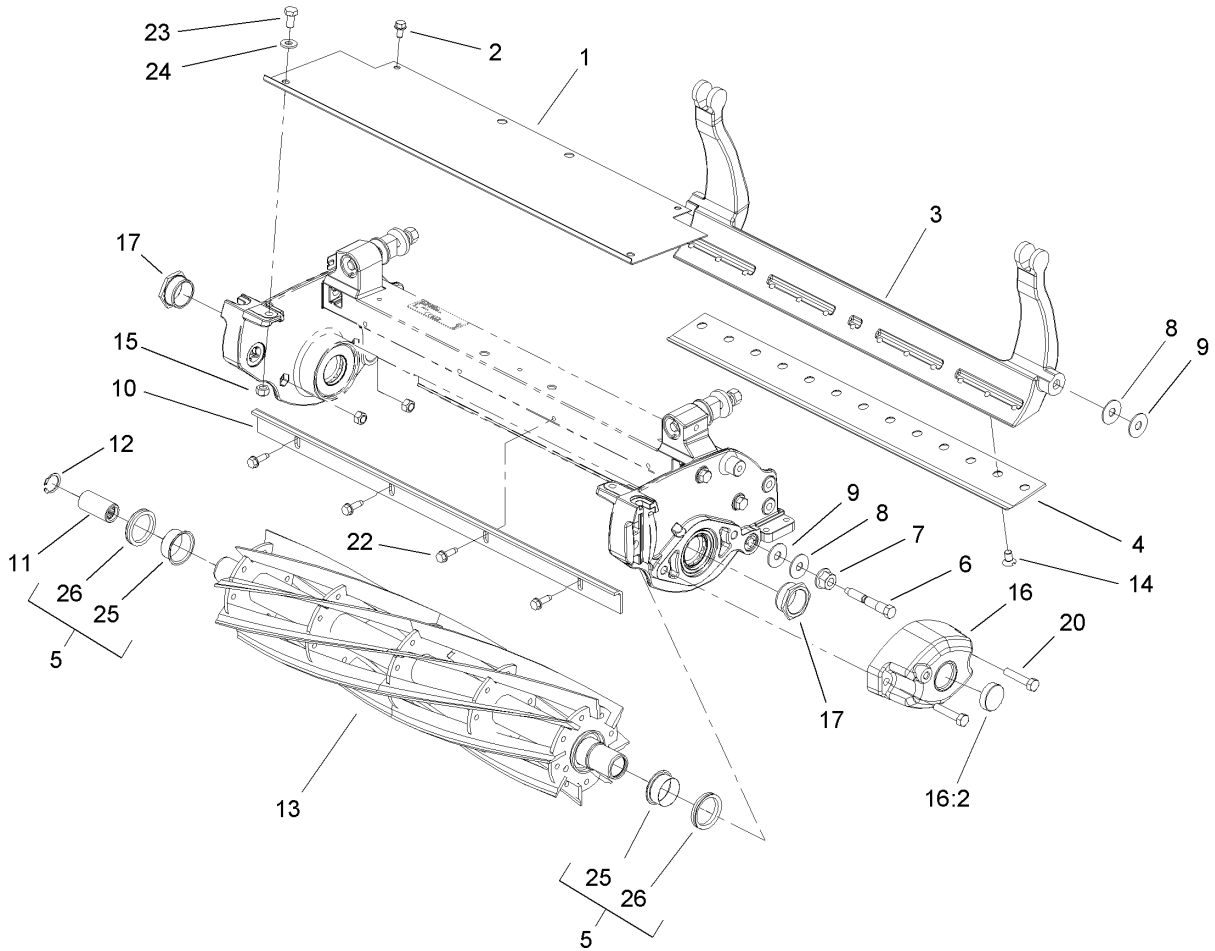


ITEM 5 (WASHER) IS USED AS A ROLLER INSTALLATION TOOL

Replacement Seal Kit Assembly No. 106-6937

Ref	Part No.	Qty.	Description
1	106-6927	1	Sleeve-Speedi
2	106-6926	1	Seal-Grease
3	253-134	1	Seal-Grease
4	106-6929	1	V-Ring
5	104-0532	1	Washer-Pulley

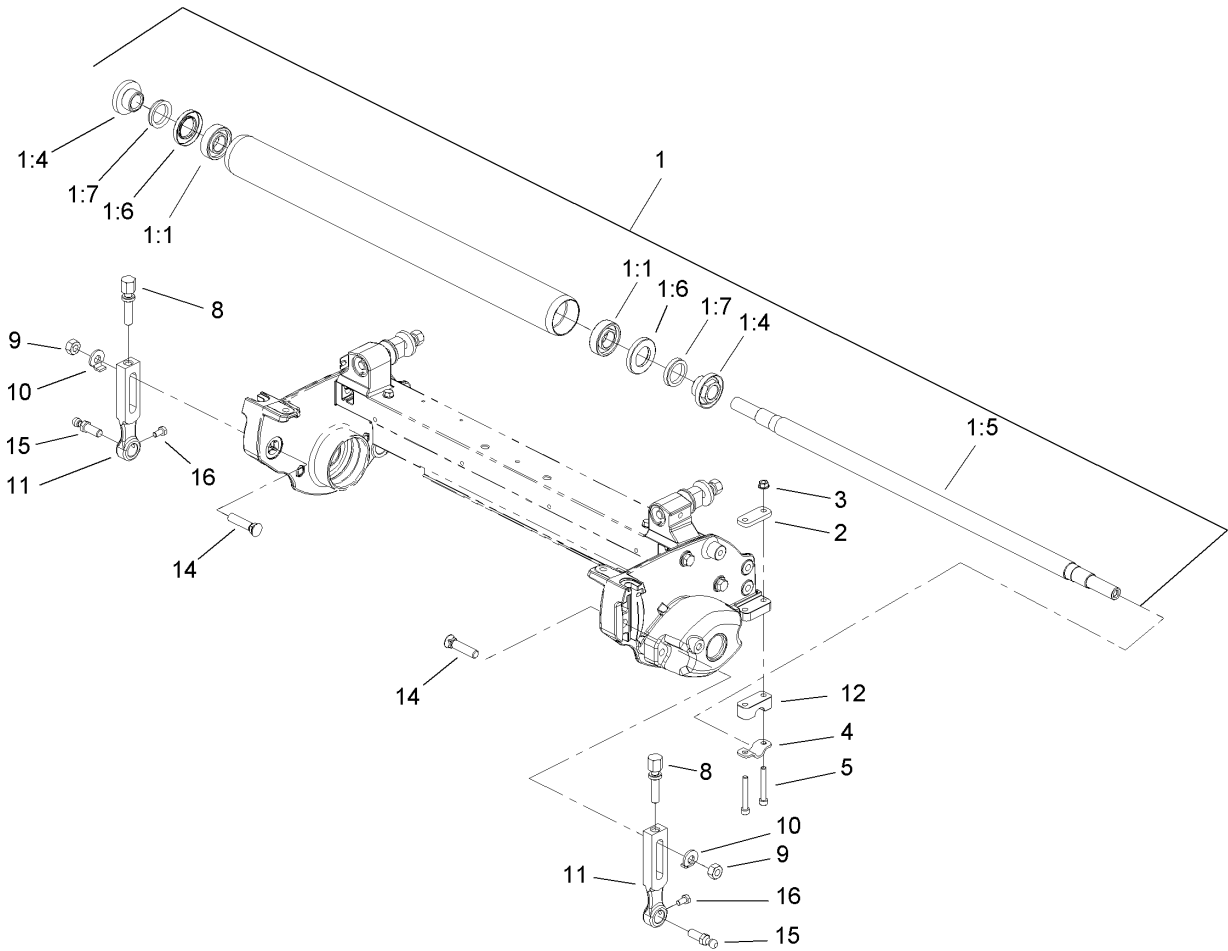
--	--	--	--



Blade Assembly

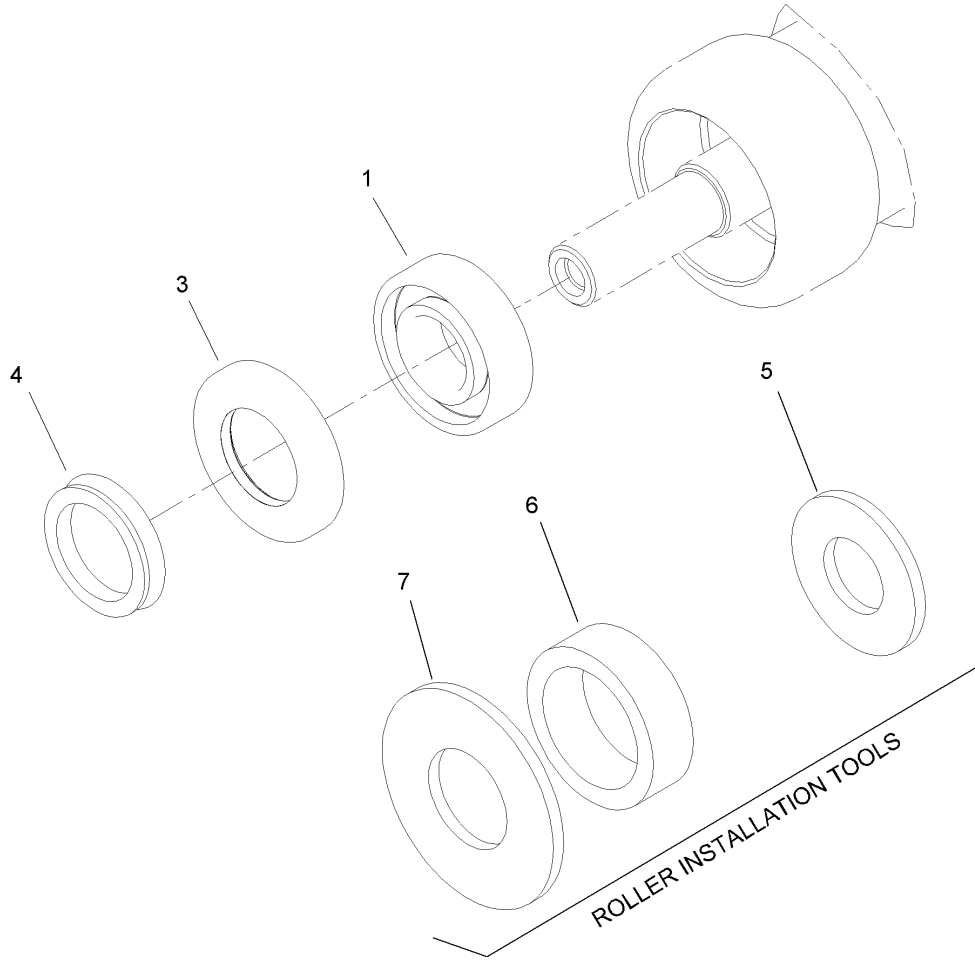
Ref	Part No.	Qty.	Description
1	106-2600-01	1	Shield-Grass
2	104-2628	2	Screw-HWH
3	106-2648-01	1	Bedbar
④	63-8600	1	Bedknife-Fairway
④	93-4262	1	Bedknife-Microcut
4	93-4263	1	Bedknife-Tournament Cut
④	93-4264	1	Bedknife-Low Cut
④	94-6392	1	Bedknife-Highcut
5	106-6937	1	Dpa Reel Seal Kit
6	65-6270	2	Bolt-Bedbar
7	32128-48	2	Nut-HHF
8	52-2860	4	Washer
9	52-2900	4	Washer-Plastic
10	106-6924-03	1	Bar-Cutoff
11	94-4507	1	Coupler-Splined
12	105-5775	1	Ring-Retaining
13	105-5793	1	8 Blade Reel ASM
14	57-4910	13	Screw-Special
15	33024-00	4	Nut-Lock
16	105-5709	1	Weight ASM
16:2	105-5708	1	Plug-Expansion
17	105-5706	2	Nut-Lock, Bearing
20	33114-040	2	Screw-HH
22	56-6380	4	Screw

Ref	Part No.	Qty.	Description
23	33114-016	2	Screw-HH
24	3256-2	2	Washer-Flat
25	106-6927	2	Sleeve-Speedi
26	106-6929	2	V-Ring



Rear Roller Assembly

Ref	Part No.	Qty.	Description
1	106-6945	1	Full Roller ASM
1:1	251-347	2	Bearing-Ball
1:4	106-6939	2	Nut-Lock, Bearing
1:5	106-6940	1	Shaft-Roller
1:6	106-6941	2	Seal
1:7	106-6942	2	V-Ring
2	105-5711	2	Shim-Roller
3	33003-00	4	Nut-HF
4	105-5712	2	Retainer-Shaft
5	106-2603	4	Screw-Sh
16	107-1594	1	Roller Rebuild Kit
8	106-2635	2	Screw-HOC
9	106-4668	2	Nut-Lock
10	104-2603	2	Washer-HOC
11	107-3502	2	Arm-HOC
12	105-5710	2	Spacer-Roller
14	105-5342	2	Bolt-Plow
15	94-2958	2	Stud-Ball
16	33113-012	2	Screw-HH



Roller Rebuild Kit No. 107-1594

Ref	Part No.	Qty.	Description
1	251-347	2	Bearing-Ball
3	106-6941	2	Seal
4	106-6942	2	V-Ring
5	107-8133	2	Washer-Flat
6	107-3505	2	Spacer-Tool, Roller
7	104-6126	2	Washer-Flat

Attachments and Accessories

For 04610 - 8-Blade DPA Reel Mower, Greensmaster 3000 Series

Product Name	Model/Part
Wiehle Roller Kit	. 04424
Full Roller Kit	. 04625
Narrow Wiehle Roller Kit	. 04626
Wide Wiehle Roller Kit	. 04627
Steel Roller Kit	. 04628
DPA Reel Mower Groomer	. 04630
DPA Reel Mower Groomer	. 04631
DPA Reel Mower Rear Roller Brush	. 04640
DPA Reel Mower Rear Roller Brush	. 04641
DPA Reel Mower Rear Roller Scraper Kit	. 04646
Reel-5 Blade Heavy Duty ASM	. 106-2626
Wiehle Roller Scraper Kit	. 106-4661
Wiehle Roller Scraper Kit	. 106-4662
Full Roller Scraper Kit	. 106-4663
Full Roller Scraper/Brush Kit	. 106-4664
High Height-of-Cut Kit	. 106-4699
Shim	. 106-6923
Extended Grass Shield ASM	. 107-3503-01
Wiehle DPA Steel Roller ASM	. 107-3510
Brush Kit	. 107-8125
Reel-8 Blade Heavy Duty ASM	. 107-9522
Bedknife-Fairway	. 63-8600
Bedknife-Microcut	. 93-4262
Bedknife-Tournament Cut	. 93-4263
Bedknife-Low Cut	. 93-4264
Bedknife-Highcut	. 94-6392

NOTES

NOTES

NOTES

